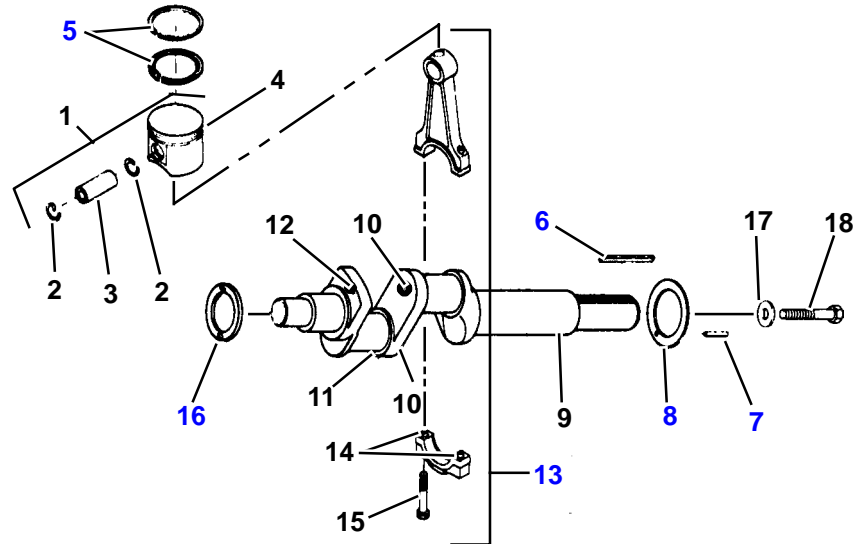




Flat (Bus)



Contoured (Truck/Trailer)



Item	Part Number	Description	Qty
1	17--44045--01	Piston, 05G37 CFM, Flat , Standard - Includes:	6
	17-44045-03	Piston, 05G37 CFM, Flat , .020 Inch Oversize - Includes:	
	17--44121--01	Piston, 05G41 CFM, Flat , Standard - Includes:	
	17-44122-01	Piston, 05G41 CFM, Flat , .020 Inch Oversize - Includes:	
1	17--44016--05	Piston, 05G37 CFM, Contoured , Standard - Includes:	6
	17-44016-07	Piston, 05G37 CFM, Contoured , .020 Inch Oversize - Includes:	
	17--44115--01	Piston, 05G41 CFM, Contoured , Standard - Includes:	
	17-44115-20	Piston, 05G41 CFM, Contoured , .020 Inch Oversize - Includes:	
2	17-40053-00	Retainer, Piston Pin	2
3	NSS	Pin, Piston	1
4	NSS	Piston	1
5	17-40055-00	Ring, Compression (Standard)	12
	17-55025-00	Ring, Compression (.020 Inch Oversize)	12
	17-40054-00	Ring, Oil (Used W/ Older O5G37 Piston W/ Wider Lower Ring Groove)	A/R
6	17-40324-00	Key, Crankshaft, 1/4 x 1/4 x 1-1/2 Inches Long (For Shaft Mounted or No Clutch)	1
	68G2-9072	Key, Crankshaft (For Housing Mounted Clutch)	
7	17-44036-00	Pin, Spiral, 1/8 x 1/2 Inch Long	2
8	17-44008-00	Thrustwasher, Seal End	1
9	17--44074--00	Crankshaft Assembly, 05G37 CFM (05G Twin Port) - Includes:	1
	17--44075--00	Crankshaft Assembly, 05G41 CFM (05G Twin Port) - Includes:	
10	17-40317-00	Expansion Plug	2
11	AF55CQ164	Setscrew, 1/4-28 x 1/2 Inch Long	1
12	34-00300-07	Capscrew, Hex Head, 1/4-20 x 7/8 Inch Long - Grade 5	1
13	17-40056-02	Connecting Rod and Cap Assembly (Standard) - Includes:	6
	17-55023-00	Connecting Rod and Cap Assembly (.010 Inch Undersize) - Includes:	A/R
14	17-40057-00	Pin, Dowel	2
15	17-55008-00	Capscrew (Special)	2
16	17-55009-01	Thrustwasher, Pump End	1
17	34-00616-00	Washer, 13/32 ID x 1-1/2 OD x 3/16 Thick	1
18	34-00613-07	Capscrew, Hex Head, 3/8-24 UNF x 7/8 Inch Long - SAE Grade 8	1